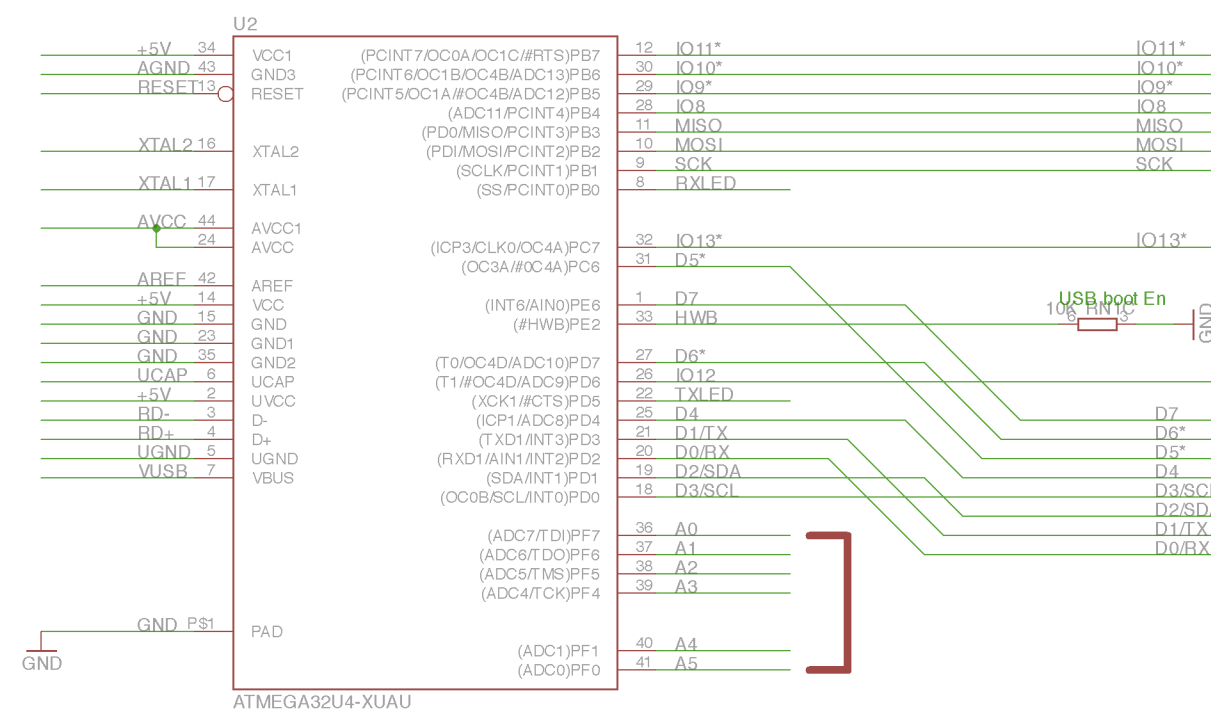
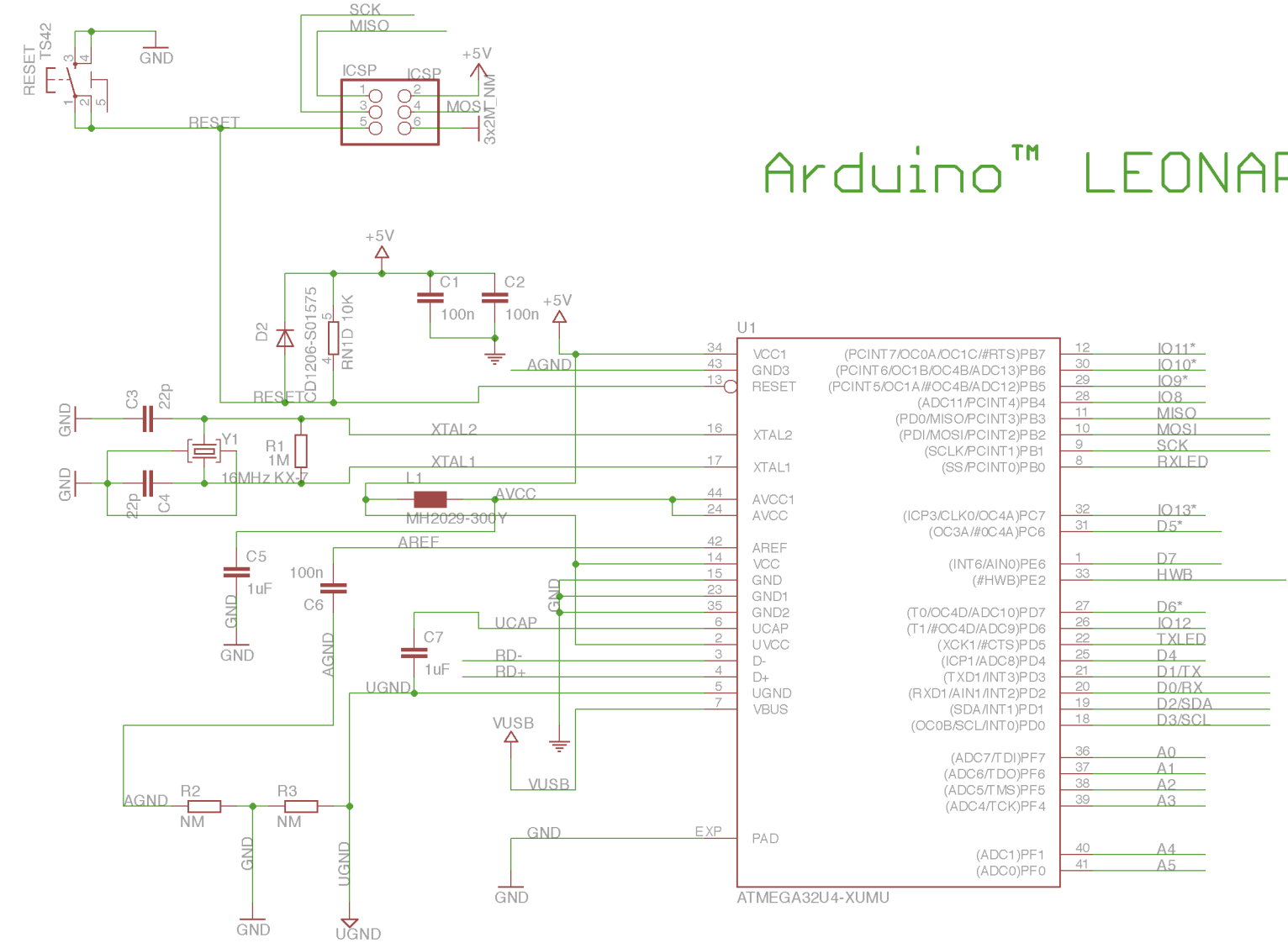


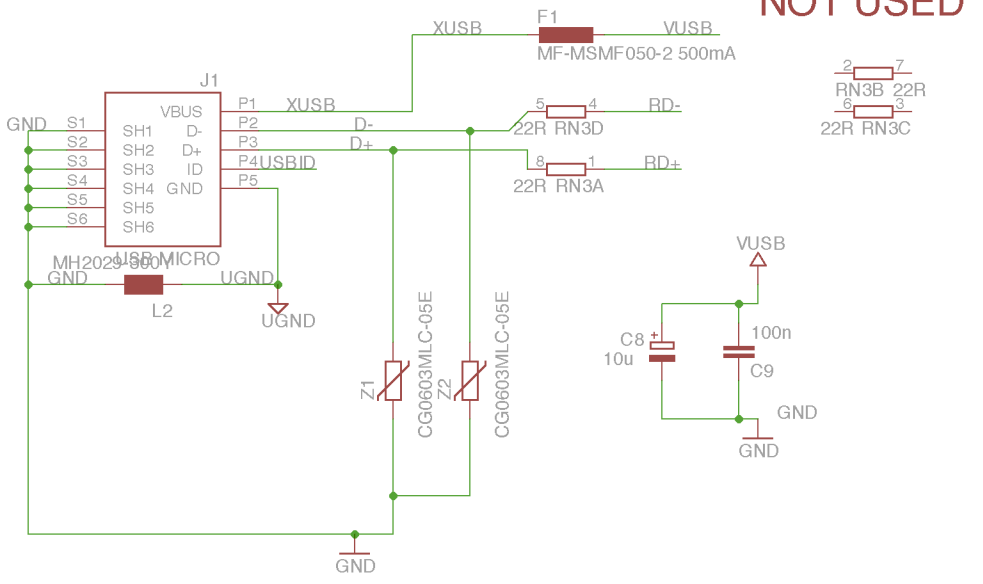
Arduino™ LEONARDO



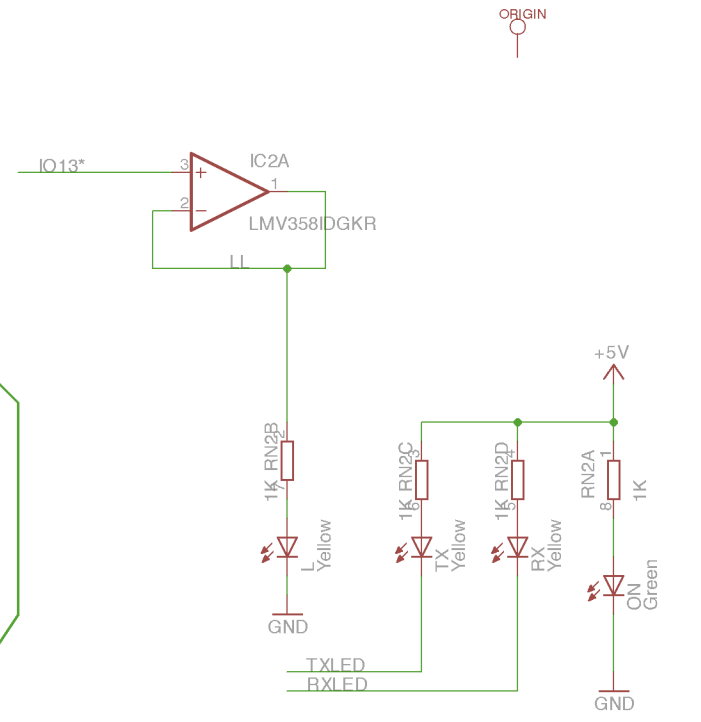
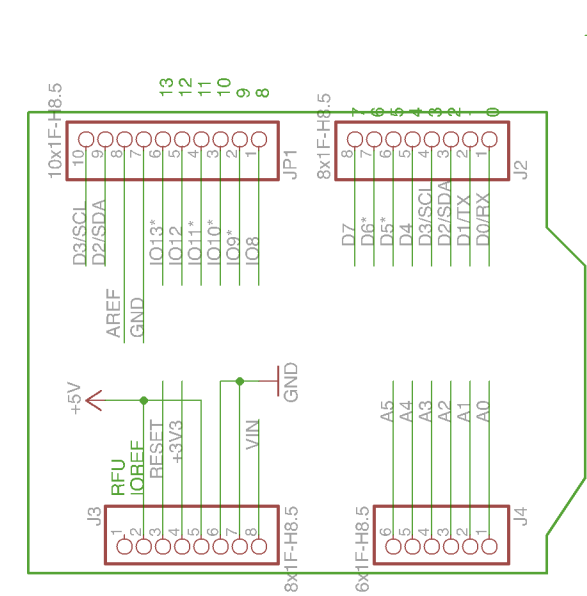
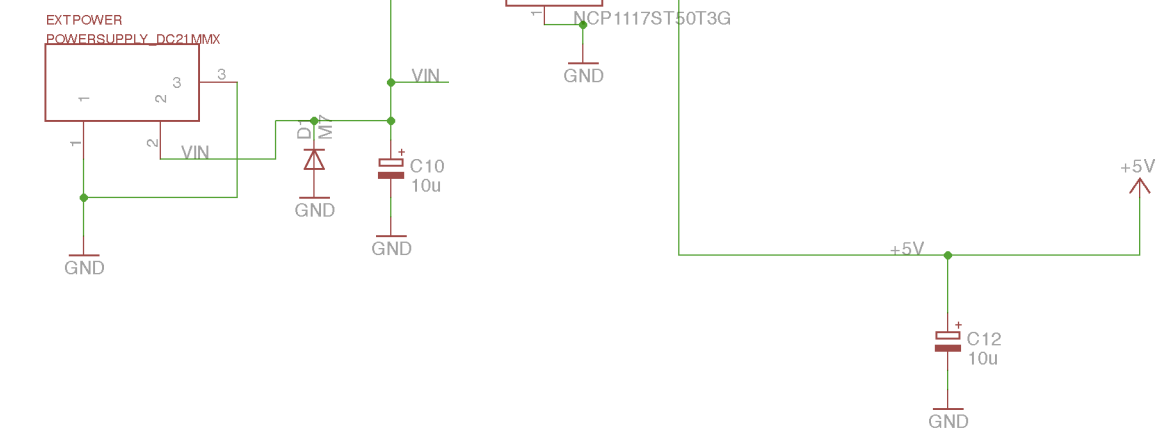
IO	ALT1	ALT2	ALT3
11#	#PWM 8/16bit	+A11	+PWM COMPL IO10
10#	#PWM 16bit	+A10	
9#	#PWM 16bit	+A9	
8			
TO ICSP			
13	#PWM 10bit		
12		+A7	PWM 16bit COMPL D6
7	#PWM Hi-Speed	+A8	
6#	#PWM Hi-Speed	+A6	
5#			
4			
3#	#PWM 8bit		
2			
1			
0			



USB



NOT USED



+5V AUTO SELECTOR

