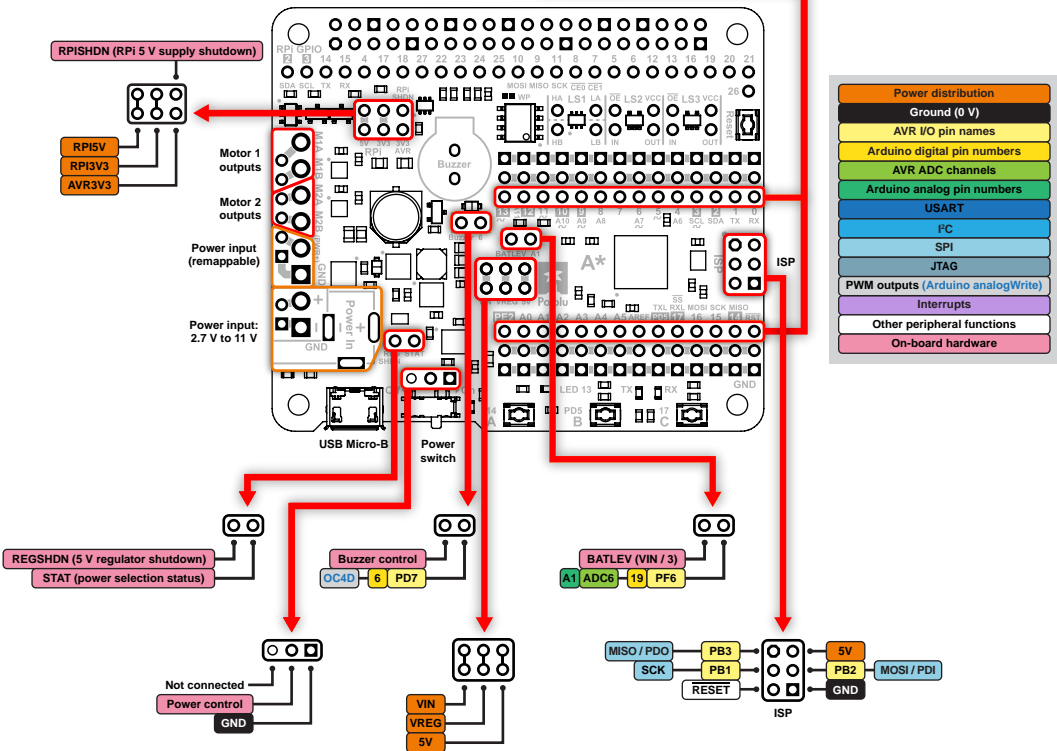
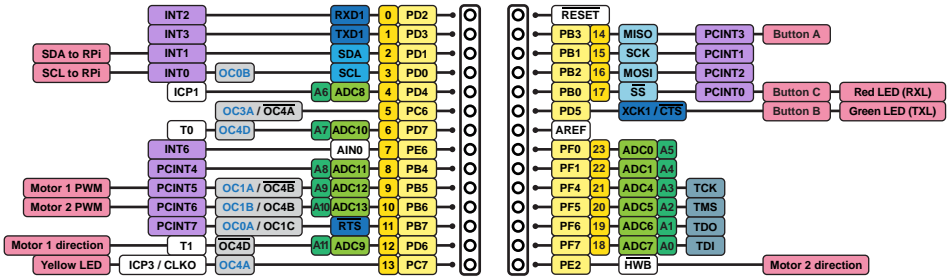


A-Star 32U4 Robot Controller LV with Raspberry Pi Bridge

Pinout and peripherals

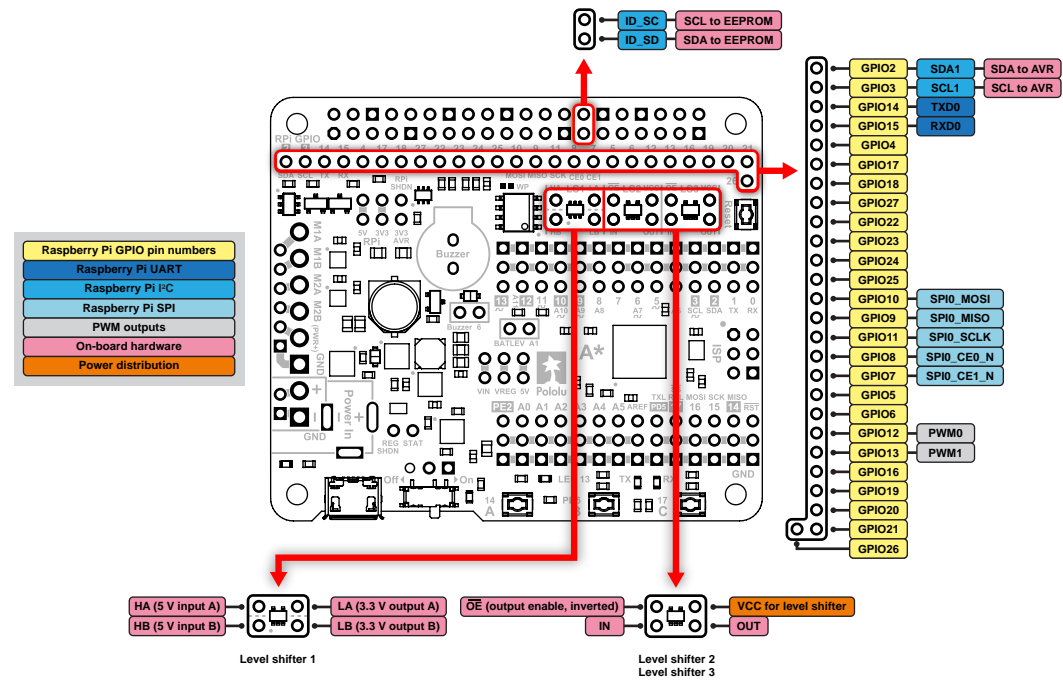


Power distribution
Ground (0 V)
AVR I/O pin names
Arduino digital pin numbers
AVR ADC channels
Arduino analog pin numbers
USART
IC
SPI
JTAG
PWM outputs (Arduino analogWrite)
Interrupts
Other peripheral functions
On-board hardware

A-Star 32U4 Robot Controller LV with Raspberry Pi Bridge

Pinout and peripherals

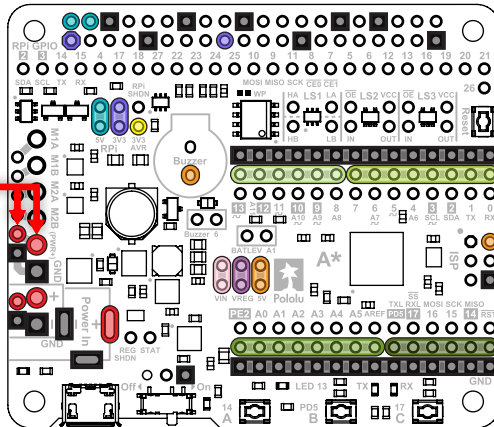
Raspberry Pi and level shifters



A-Star 32U4 Robot Controller LV with Raspberry Pi Bridge

Power distribution

Remappable to VIN with surface-mount jumper on reverse



Ground (0 V)
Power input (2.7 V to 11 V)
VIN (after switch)
5V (VCC access)
VREG (5 V regulator output)
RPi5V (RPI 5 V access)
RPi3V3 (RPI 3.3 V output)
AVR3V3 (AVR 3.3 V output)
Optional power bus 1
Optional power bus 2
Optional power bus 3
Optional power bus 4