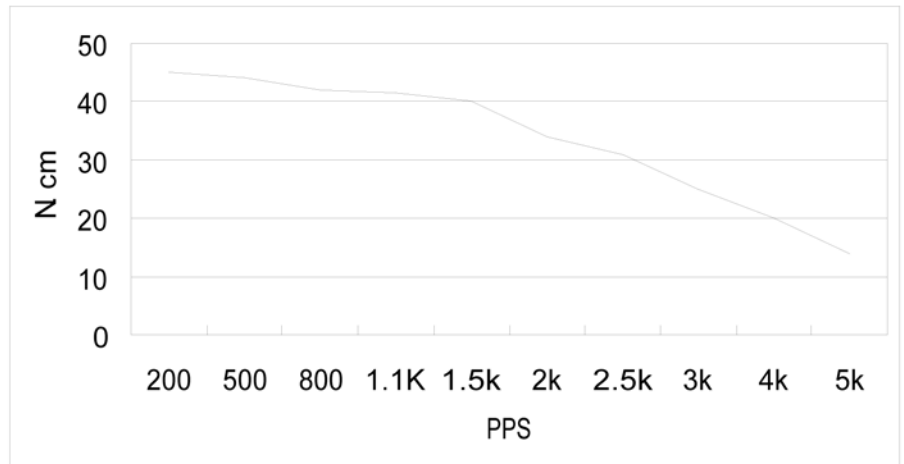


# HIGH TORQUE HYBRID STEPPING MOTOR SPECIFICATIONS

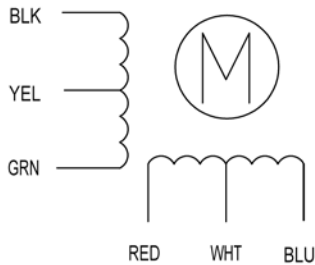
General specifications		Electrical specifications	
Step Angle (°)	1.8	Rated Voltage (V)	4
Temperature Rise (°C)	80 Max (rated current, 2 phase on)	Rated Current (A)	1.2
Ambient temperature (°C)	-20~+50	Resistance Per Phase ( $\pm 10\% \Omega$ )	3.3 (25°C)
Number of Phase	2	Inductance Per Phase ( $\pm 20\% \text{mH}$ )	2.8
Insulation Resistance	100M $\Omega$ , Min (500VDC)	Holding Torque (Kg.cm)	3.17
Insulation Class	Class B	Detent Torque (g.cm)	200
Max.radial force (N)	28 (20mm from the flange)	Rotor Inertia (g. cm <sup>2</sup> )	68
Max.axial force (N)	10	Weight (Kg)	0.365

## ● Pull out torque curve:

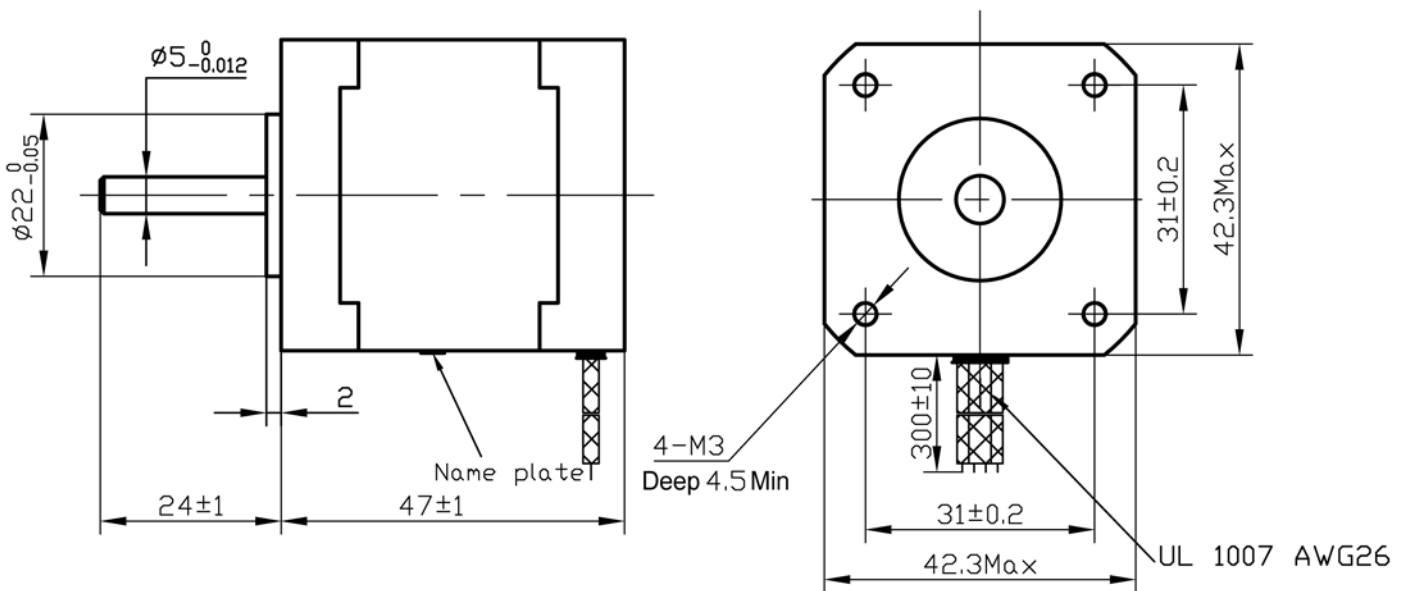
VOLTAGE: 28VDC, CONSTANT CURRENT: 1.2A, HALF STEP



## ● Wiring Diagram:



## ● Dimensions: (unit=mm)



REV	REVISIONS	DESCRIPTION	BY	DATE
DRAW				
CHECK				
APPROVE				

SY42STH47-1206A



Unit 1 Sovereign Business Park,  
Willis Way,  
Poole,  
Dorset,  
United Kingdom  
BH15 3TB  
www.zappautomation.com  
enquiries@zappautomation.com