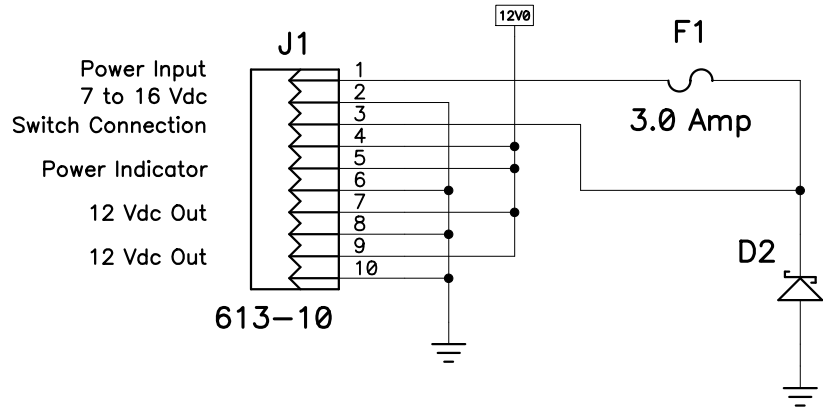
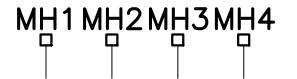
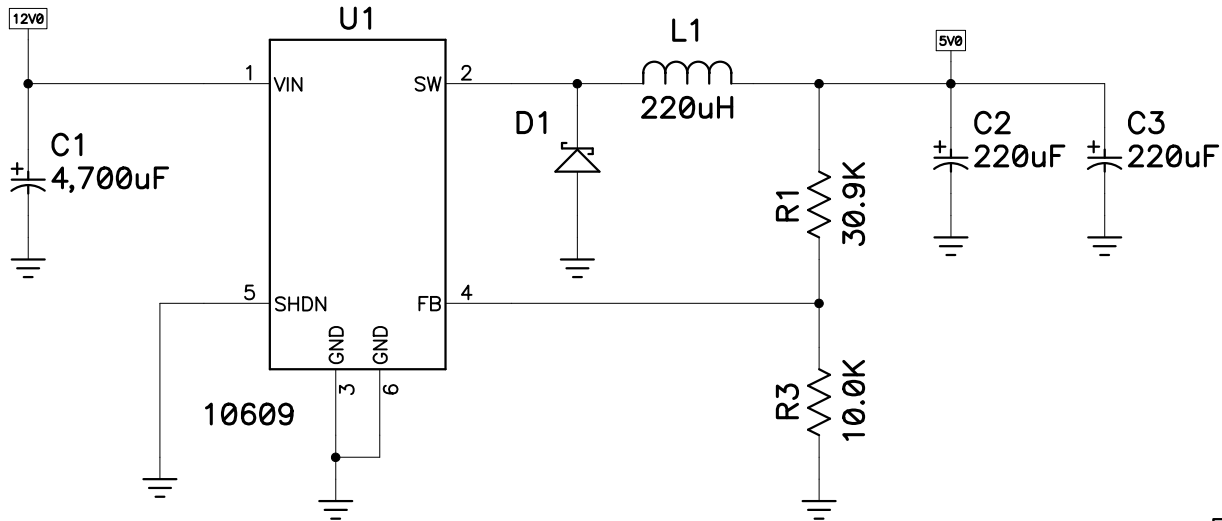


Rev Log

Rev A – Initial Release



Switching Regulator
Vout 5.0V @ 2.0Amp Max



COPYRIGHT ZAGROS ROBOTICS, 2008

Title		PDP BOARD	
Size	Number	Rev	
A	10669A	A	
Date	19NOV2008	Drawn by	B WIRZ
Filename	10669A.sch	Sheet	1 of 1